

Vegetable Slicer TrinityPro Combined Vegetable Slicer/ Cutter Mixer 2,6 Lt - Single Speed - UK plug

ITEM # _____

MODEL # _____

NAME # _____

SIS # _____

AIA # _____


602155 (COM26G)

Combined Vegetable Slicer and Cutter Mixer 2.6 Lt, with stainless steel bowl, 1500 rpm, 3 discs included (slicer 2mm, slicer 5mm, grater 3mm), UK plug

Short Form Specification

Item No. _____

Combined Vegetable Slicer and Cutter Mixer with 2,6 litres, stainless steel bowl. Vegetable slicer ensures consistent cutting results thanks to the design patented lever-pusher. Constructed in a sturdy plastic material. 1,25 liters transparent half-moon hopper. Vegetables can be fed directly into the half moon hopper, a pusher presses the vegetables against the cutting discs ensuring an even cut in minimal time. 2 small hoppers for precise cuts on long vegetables dia. 55mm or 25mm. Ideal for grating, slicing/wavy slice, julienne and dicing. 3 discs included: slicer 2mm and 5mm, grater 3mm. A safety micro switch stops the blade when the feed hopper is opened.

Cutter Mixer transparent copolyester lid with scraper and central feed hole for adding products in mid-cycle. Microtoothed blade rotor. Angled blades and conical base of the bowl ensure consistent mixing. All ingredients are processed evenly and quickly thanks to a special flow generated inside the bowl.

No-volt release system prevents accidental start of the appliance. All parts in contact with food are removable and Dishwasher safe. Waterproof, easy to clean, flat, soft-touch buttons. Single speed 1500 rpm with on/pulse/off function for simple operations. With UK plug.

Main Features

- Combined appliance with two functions: vegetable slicer and cutter mixer.
- Equipped with vegetable slicer attachment for slicing, grating, shredding (julienne) as well as dicing and French fries cutting.
- Cutter mixer and emulsifier function included, for fast chopping, mixing, mincing, griding, liquidizing and kneading.
- Equipped with half moon hopper (1,25lt capacity) and 2 small round feed chutes: Ø 25mm and Ø 55mm, for precise slicing of long shaped vegetables.
- Uniform cuts and maximised load capacity, thanks to the design patented lever-pusher.
- Large output chute for efficient ejection. Fits up to 200mm high standard kitchen containers (like GN) under the output chute.
- Continuous feed model.
- Pulse function for quick and precise slicing and grating.
- Ergonomical frontal lever, suitable for left handed and right handed operators.
- Vegetable slicer blade stops when lever pusher is lifted for operator safety.
- Model includes 3 discs: slicer 2mm, slicer 5mm, grater 3mm.
- Optional discs and grids available of various sizes for slicing, dicing, grating and shredding (diam. 175mm).
- Bowl/lid scraper included for uniform smooth results (emulsifying) and continuous working.
- Transparent lid, with funnel shaped hole, to add ingredients during use.
- All ingredients are processed evenly and quickly thanks to a special movement generated inside the bowl.
- Pulse function for coarse chopping.
- Easy to clean and waterproof control panel with flat on/off button and pulse function.
- All parts in contact with food are removable without the use of tools, completely dismountable and dishwasher safe.
- Productivity: up to 100 settings per service for vegetable slicer, up to 50 settings per service for cutter mixer function.
- ErgoCert 4-star certification for ergonomic design and ease of use.
- Includes 2,6 liter, transparent bowl with micro-toothed blades rotor.

APPROVAL: _____

Construction

- 1 speed: 1.500 rpm.
- Power: 500 Watts.
- Micro-toothed blades in 420 AISI stainless steel and ergonomic scraper in resistant composite material to ensure consistent mixing.
- IPX5 (IP55) waterproof, flat, touch-control panel.
- Main switch ON/OFF on the back of the appliance.
- Asynchronous industrial motor with no brushes for high reliability and quiet functioning, stainless steel motor shaft.
- Bowl in BPA-free, transparent copolyester.
- Food safety assured in accordance to European directives and UK legislation. In addition, materials in contact with food, are BPA-free.
- Product safety conform to European directives, UK legislation and international health and safety standards.

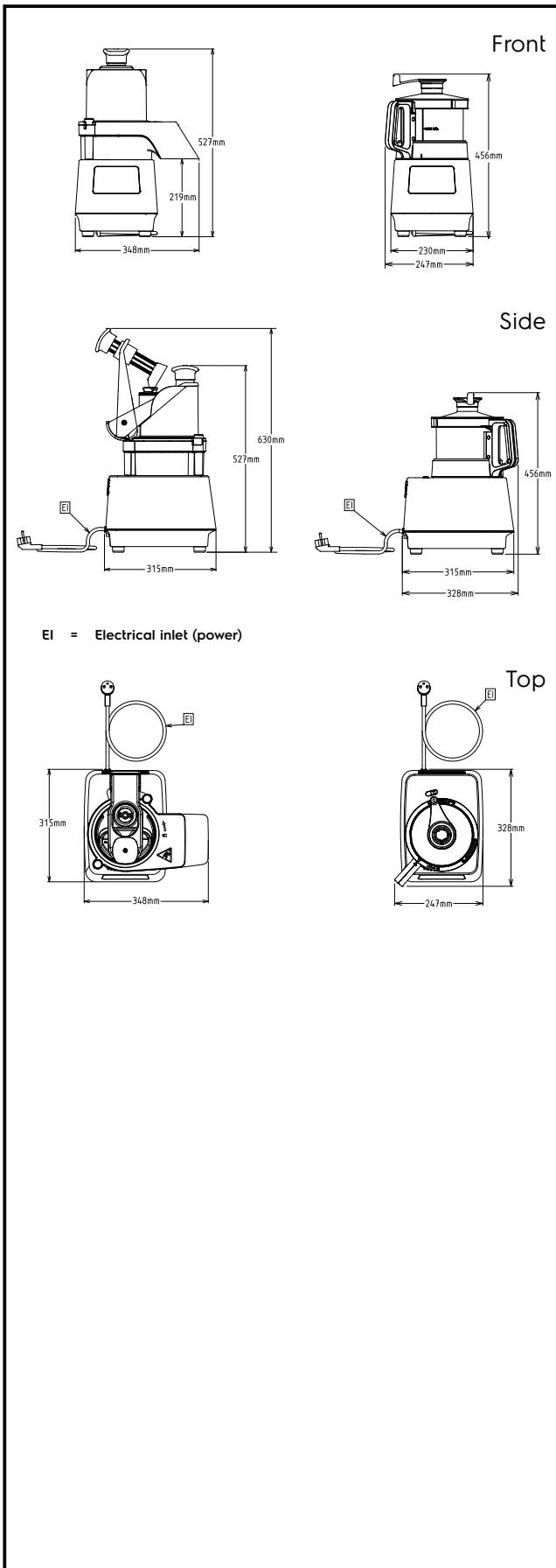
Included Accessories

- 1 of Transparent lid for 2,6lt Cutter PNC 650117 Mixer bowl
- 1 of Kit including 3 discs (slicer 2mm, slicer 5mm, grater 3mm) PNC 650196
- 1 of Microtoothed blade rotor for 2.6lt Cutter Mixer PNC 650226
- 1 of Stainless steel bowl for 2,6lt Cutter Mixer PNC 650228
- 1 of Scraper for 2.6lt Cutter Mixer bowl PNC 650230
- 1 of Ejector for Vegetable Slicer PNC 650232

Optional Accessories

- Cleaning tool for TRS, TRK & TR210 5-8-10 mm dicing grids PNC 650110
- Transparent lid for 2,6lt Cutter Mixer bowl PNC 650117
- Transparent lid for 3,6lt Cutter Mixer bowl PNC 650118
- Stainless steel bowl for 3,6lt Cutter Mixer, microtoothed rotor, lid with scraper PNC 650145
- Kit including 3 discs (slicer 2mm, slicer 5mm, grater 3mm) PNC 650196
- Kit including 6 discs (slicer 2mm, slicer 5mm, grater 3mm, grater 7mm, slicer 10mm, grid 10x10mm) PNC 650197
- Stainless steel grating disc 2 mm (dia. 175mm) PNC 650198
- Stainless steel grating disc 3 mm (dia. 175mm) PNC 650199
- Stainless steel grating disc 4 mm (dia. 175mm) PNC 650205
- Stainless steel grating disc 7 mm (dia. 175mm) PNC 650207
- Parmesan Disc PNC 650208
- Stainless steel shredding disc 2 mm (dia. 175mm) PNC 650209

- Stainless steel shredding disc 4 mm (dia. 175mm) PNC 650210
- Stainless steel shredding disc 8 mm for French fries (dia. 175mm) PNC 650211
- Stainless steel slicing disc 1 mm (dia. 175mm) PNC 650213
- Stainless steel slicing disc 2 mm (dia. 175mm) PNC 650214
- Stainless steel slicing disc 3 mm (dia. 175mm) PNC 650215
- Stainless steel slicing disc 5 mm (dia. 175mm) PNC 650216
- Stainless steel slicing disc 6 mm (dia. 175mm) PNC 650217
- Stainless steel wavy slicing disc 3 mm (dia. 175mm) PNC 650218
- Stainless steel wavy slicing disc 5 mm (dia. 175mm) PNC 650219
- Aluminum slicing disc 8 mm (dia. 175mm) PNC 650220
- Aluminum slicing disc 10 mm (dia. 175mm) PNC 650221
- Dicing grid 8x8 (dia 175mm) PNC 650222
- Dicing grid 10x10 (dia 175mm) PNC 650223
- Dicing kit 8mm (aluminum slicer 8mm, grid 8x8mm) (dia. 175mm) PNC 650224
- Dicing kit 10mm (aluminum slicer 10mm, grid 10x10 mm) (dia. 175mm) PNC 650225
- Microtoothed blade rotor for 2.6lt Cutter Mixer PNC 650226
- Smooth blade rotor for 2.6lt Cutter Mixer PNC 650227
- Stainless steel bowl for 2,6lt Cutter Mixer PNC 650228
- Transparent copolyester bowl for 2,6lt Cutter Mixer PNC 650229
- Scraper for 2.6lt Cutter Mixer bowl PNC 650230
- Stainless steel bowl for 2,6lt Cutter Mixer, microtoothed rotor, lid with scraper PNC 650231
- Ejector for Vegetable Slicer PNC 650232
- Microtoothed blade rotor for 3.6lt Cutter Mixer PNC 650233
- Smooth blade rotor for 3.6lt Cutter Mixer PNC 650234
- Stainless steel bowl for 3.6lt Cutter Mixer PNC 650235
- Scraper for 3.6lt Cutter Mixer bowl PNC 650236
- Stainless steel slicing disc 4 mm (dia. 175mm) PNC 650237
- Support for 1 disc (dia. 175mm and 205mm) PNC 653050



Electric

Supply voltage:	
602155 (COM26G)	220-240 V/1N ph/50 Hz
Electrical power max.:	0.5 kW
Total Watts:	0.5 kW

Capacity:

Performance (up to):	
Capacity:	2.6 litres

Key Information:

External dimensions, Width:	348 mm
External dimensions, Height:	527 mm
External dimensions, Depth:	328 mm
Shipping weight:	18.6 kg